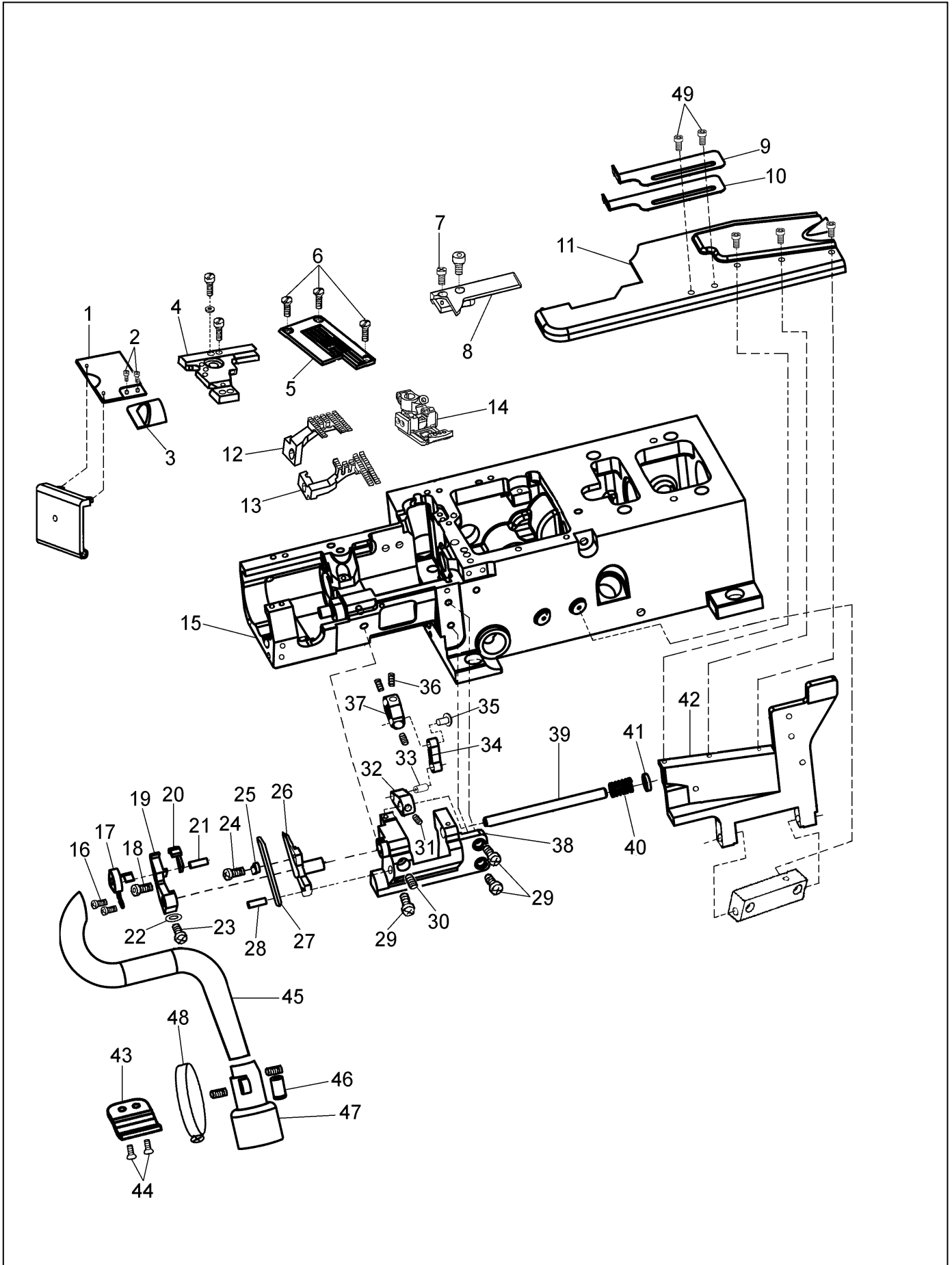


# 337/5 LEFT KNIFE MECHANISM



### 337/5 LEFT KNIFE MECHANISM

No.	Ref.No.	Description	Qt	Remark
1	222E00024	Cloth plate	1	
2	S150216029	Screw M3X4	2	
3	222E00026	Protection cover	1	
4	222E00021	Stitch plate support	1	
5	222E00023	Stitch plate	1	
6	110400023	Screw	1	
7	S150299034	Screw M4X6	1	
8	222E00012	Supplementary slide cover	1	
9	221F00008	Upper folding device	1	
10	221F00009	Lower folding device	1	
11	222E00002	Front cover (upper)	1	
12	222E00027	Main feed dog	1	
13	222E00028	Differential feed dog	1	
14	222E00025	Presser foot (5.6)	1	
15	222E10001	Machine frame	1	
16	B040430598	Screw 9/64"(3.57)X40X5	2	
17	222E00016	Movable knife Protection frame	1	
18	182900006	Set screw M3X6	1	
19	222E00013	Moving knife bracket	1	
20	222E00014	Moving knife	1	
21	S150404001	Pin 3mmX6	1	
22	S150602006	Washer φ5	1	
23	S150299002	Set screw M5X14	1	
24	036550005	Screw 11/64"(4.37)X40/7	1	
25	222E00019	Static knife platen	1	
26	222E00017	Static knife bracket	1	
27	222E00018	Static knife	1	
28	S150403010	Pin 5MMX25	1	
29	S150209056	Screw M6X16	3	
30	S150299028	Screw M5X5	2	
31	S150299028	Set screw M5X5	1	
32	222E00004	Front crank	1	
33	222E00005	Pin	1	
34	222E00006	Connecting lever	1	
35	222E00008	Pin	1	
36	S150299028	Set screw M5X5	3	
37	222E00007	Back crank	1	
38	222E00003	Knife base	1	
39	222E00009	Knife holder shaft	1	
40	222E00011	Spring	1	
41	222E00010	Nut	1	
42	222E00001	Front cover	1	
43	222E00020	Suction waste pipe fixed plate	1	
44	S150299035	Screw M4X8	2	
45	222E20000	suction waste pipe assy	1	
46	J03820191	Air tap	1	
47	222E00022	Adapter	1	
48	S151015001	Pipe chuck (18-32mm)	1	
49	222F00013	Set screw	2	